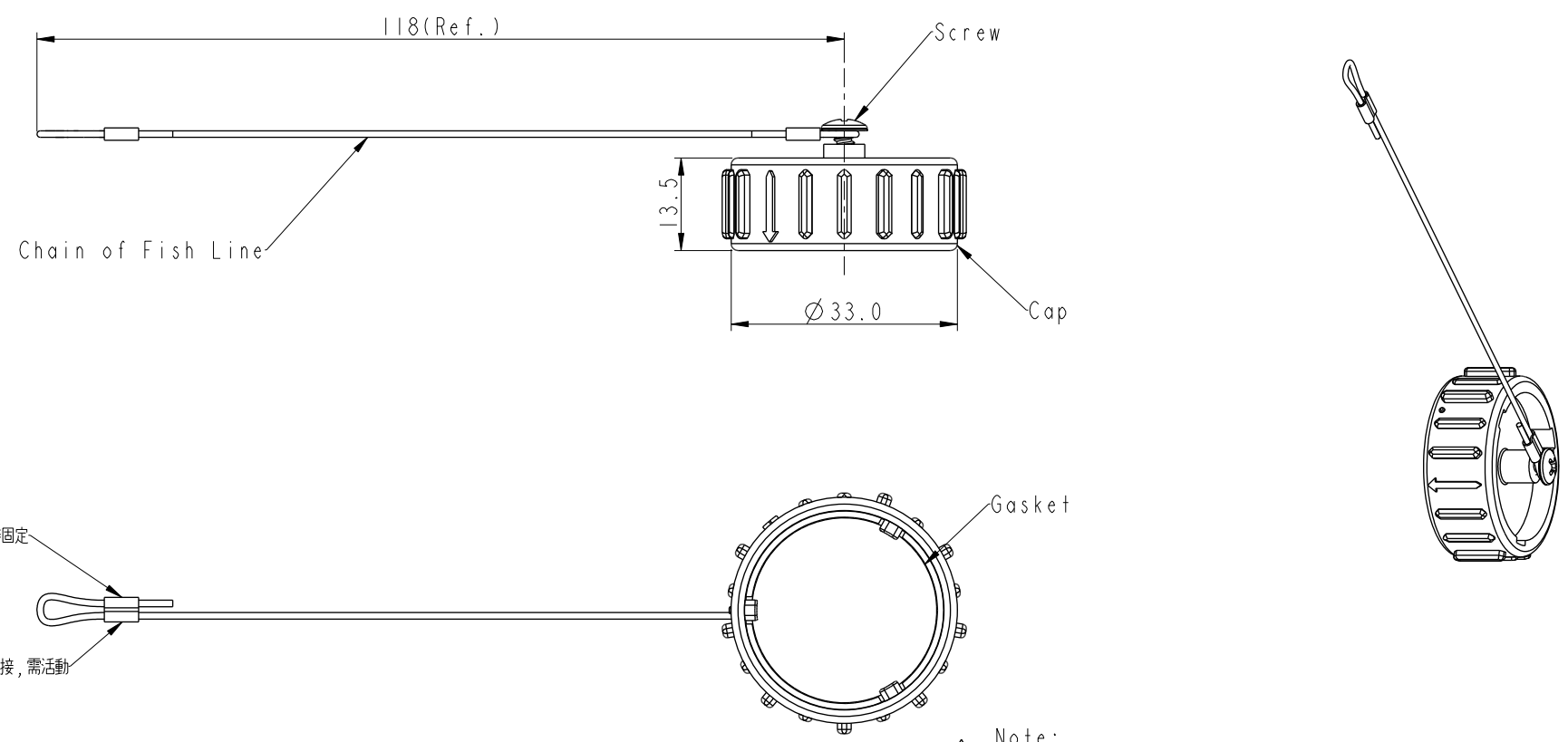


THIS DOCUMENT IS SUBJECT TO CHANGE WITHOUT NOTICE. IT IS CONFIDENTIAL AND A PROPERTY OF Amphenol LTW. DISCLOSURE TO THIRD PARTY HAS TO BE AUTHORIZED BY Amphenol LTW.

REV.	ECN NO.	DATE	SIGN	DESCRIPTION
A		2021/02/23	Vincent Huang	Rev.01 to A
B	C210332	2021/03/04	Vincent Huang	△B XI



- Note:
- * ∅ Important Dimension To Check.
 - * Waterproof Rate: IPX7, Mated.
 - * Cap: Thermoplastic, Black.
 - * Gasket: Rubber, Gray.
 - * Fish Line: Thermoplastic.
 - Part of Fish Line: Metal.

UNIT: mm		
TOLERANCE		
.X	±0.25	
.XX	±0.1	
.XXX	±0.05	
ANGLES	±1°	

TITLE ACC, PWR, WP CAP 3LOCK, W/FH LINE		
SCALE 1:1	SIZE A4	SHEET 1 OF 1
REV. B	WC-REV. .0	∅ : Inspection item

Amphenol LTW
安費諾亮泰企業股份有限公司

ITEM NO. CAP-WPWMTPD2	DRAWN BY Vincent Huang	DATE 2020/12/15
DWG NO. CAP-WPWMTPD2	CHECKED BY Aric Ko	DATE 2020/12/15
CUSTOMER ALTW	APPROVED BY Max Yang	DATE 2020/12/15